

The NATIONAL TIME D900-RPS Series Notification Appliance Control Panel is designed to meet the needs of your increasing power requirements. The D900-RPS-SG Series provides two style Y or Z conventional Notification Appliance Circuit (NAC) rated for a total of 5 Amps. The 24 VDC (0.5 A) auxiliary power and the resettable 24 VDC (0.32 A) auxiliary power outputs provide for system application flexibility.

Other benefits include - 1) an intelligent 2 wire interface residing on the DigiComm™ analog addressable loop with the capability of returning all power supply trouble statuses along with NAC circuit activation indication, for factual point annunciation 2) an AC power failure trouble time delay per NFPA72. 3) Remote trouble diagnostic identification of fault conditions.

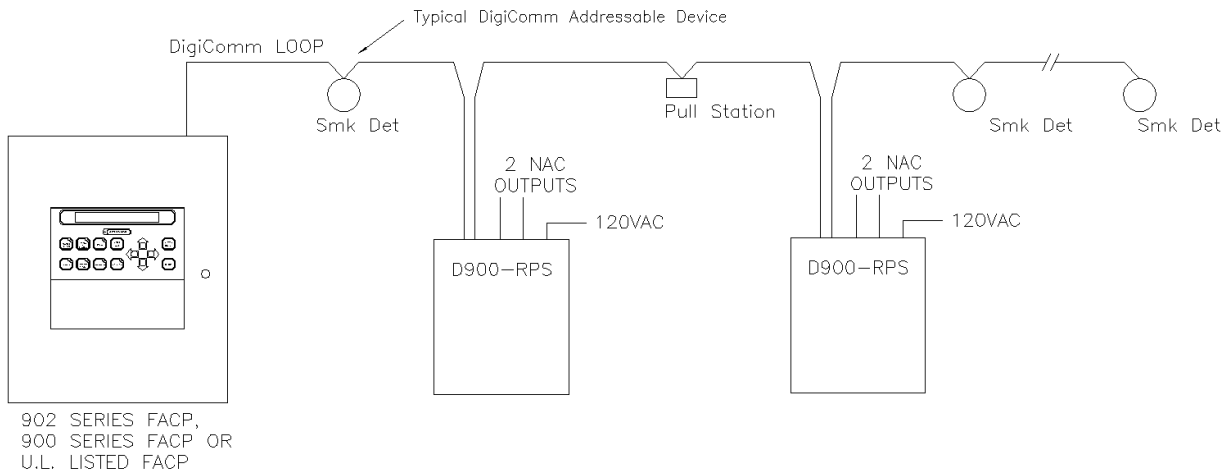
The D900-RPS-SG is capable of synchronized horn (temporal) and strobe operation directly from the NAC outputs without the need of a synchronization module. This provides horn (temporal) and strobe synchronization with independent control (alarm silence capability) on the same pair of wires.



## Features:

- 5 Amps of Notification Appliance Power
- 2 Notification Appliance Circuits
- Synchronized Horn/Strobe Operation on a Single Pair of Wires
- Silence Horns with Strobes Operating on a Single Pair of Wires
- All Trouble Indications for each Circuit at Main Panel
- 24 VDC Auxiliary Power Output
- Trouble Contacts
- Expandable Design
- U.L. 864 10<sup>th</sup> Edition Listed

## Wiring Diagrams



## Specifications

- PRIMARY POWER:** 120VAC (or 240VAC) @ 50/60Hz
- BATTERY POWER:** 24 Vdc
- NAC POWER:** 5 Amps
- COMMUNICATION:** DigiComm™ Addressable Communication Loop
- AUXILIARY POWER:** 24VDC @ 0.5A max.
- TROUBLE CONTACTS:** Form "C" 24VDC/5A or Polarized 24VDC/0.2A
- MAX. TEMP. RANGE:** 32° - 120°F (0 - 49°C)
- HUMIDITY:** 85% Non-condensing max.
- DIMENSIONS:** 12"W x 15"H x 4"D

## Ordering Information

Part No.	Description
D900-RPS-SG	Notification Appliance Control Panel (NACP)
D900-RPS-SG-240	Notification Appliance Control Panel (NACP) 240VAC Version

### Accessories

Part No.	Description
B-5.0	5 Ampere Hour - 24 VDC Battery Pack